

## Woofer technical parameters:

Drum paper material: special paper cone

Voice coil size: 51mm

Continuous power: 60 W

Frequency response: 60-4000Hz

DC resistance: 3.6  $\Omega$

Fo: 60 Hz

SPL: 86 dB

Sd: 172.2 cm<sup>2</sup>

Bl: 4.7 Tm

Qms: 5.8

Qes: 1.35

Qts: 1.1

No: 0.23%

Vas: 12.9Ltr

Cms: 307.9mm/N

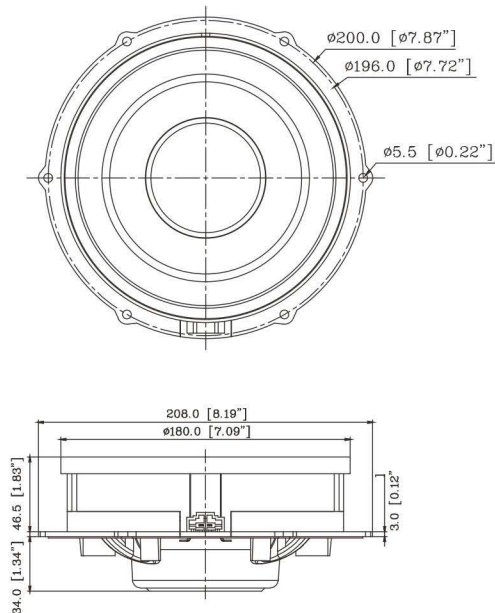
Mms: 21g

Mmd: 17.2g

Weight: 1.32 kg

Installation depth: 38 mm

Installation diameter: 175 mm



## Tweeter technical parameters:

Diaphragm material: imported silk

Voice coil size: 25.4mm

DC resistance: 3.6  $\Omega$

Continuous power: 20 W

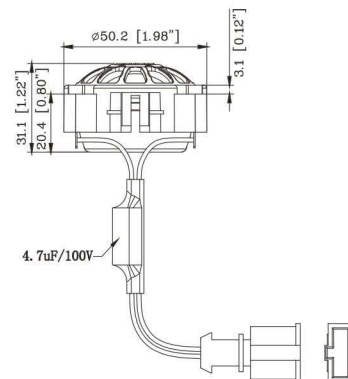
Frequency response: 700-22000Hz

Sensitivity: 90 dB

Weight: 0.08 kg

Installation depth: 24 mm

Installation diameter: 51 mm



## Product packaging list:

Woofer	X2
Tweeter	X2
User guide	X1
Warranty card	X1
Certificate	X1
Cable	X2